



Backer Rod Mfg. Inc.

www.backerrod.com
Customer Service (800) 595 2950



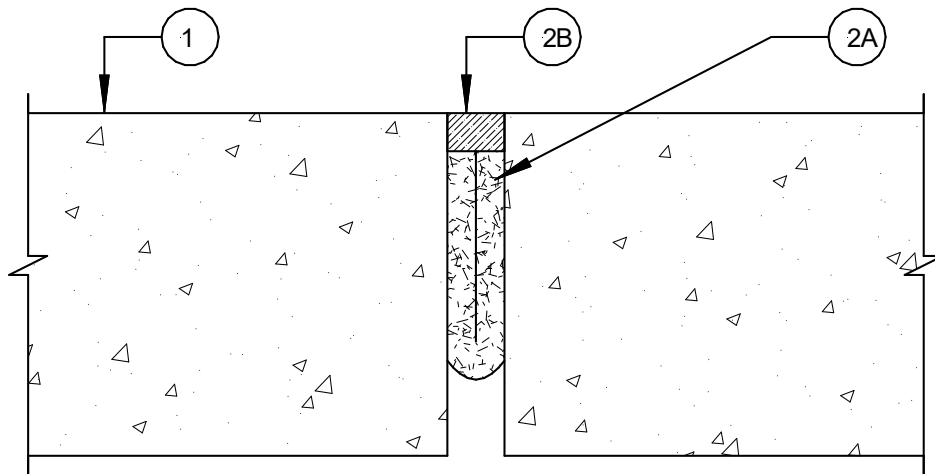
UL System No. WW-S-0017

November 19, 2008

Assembly Rating – 2 Hr

(Limited to Fire Exposure on Interior Surface Only)

Joint Width – ¾ In. Max



1. **Wall Assembly** – Min 4 ½ in. (114 mm) thick reinforced lightweight or normal weight (100 – 150 pcf or 1600-2400 kg/m³) structural concrete. Wall may also be constructed of any UL Classified **Concrete Blocks***.

See **Concrete Blocks** (CATZ) category in the Fire Resistance Directory for names of Manufacturers.

2. **Joint System** – Max width of the joint is ¾ in. (19mm). The joint system shall consist of the following:

- A. **Forming Material*** - A nom 6 in. (152 mm) width of forming material shall be folded in half and packed into opening as a permanent form. The thickness of the forming material is dependant upon the width of the joint. For joint openings up to ½ in. (13 mm) in width, the forming material shall be a min of 3/8 in. (10 mm) thick. For joint openings up to ¾ in. (19 mm) in width, the forming materials shall be a min of 1/2 in. (13 mm) thick. Forming material to be recessed from exterior surface of wall to accommodate the required thickness of fill material.

BACKER ROD MFG. INC. – ULTRA BLOCK®

- B. **Fill, Void or Cavity Material*** - Min ½ in. (13 mm) thickness of fill material applied within the joint, flush with exterior face of wall.

MOMENTIVE PERFORMANCE MATERIALS – PENSIL 100 or PENSIL 300

SPECIFIED TECHNOLOGIES INC – PENSIL 100, PENSIL 300 or SPECSEAL SERIES SIL300 SEALANTS

* Indicates such products shall bear the UL or cUL Certification Mark for jurisdictions employing the UL or cUL Certification (such as Canada), respectively.