



# Backer Rod Mfg. Inc.

[www.backerrod.com](http://www.backerrod.com)

Customer Service (800) 595 2950

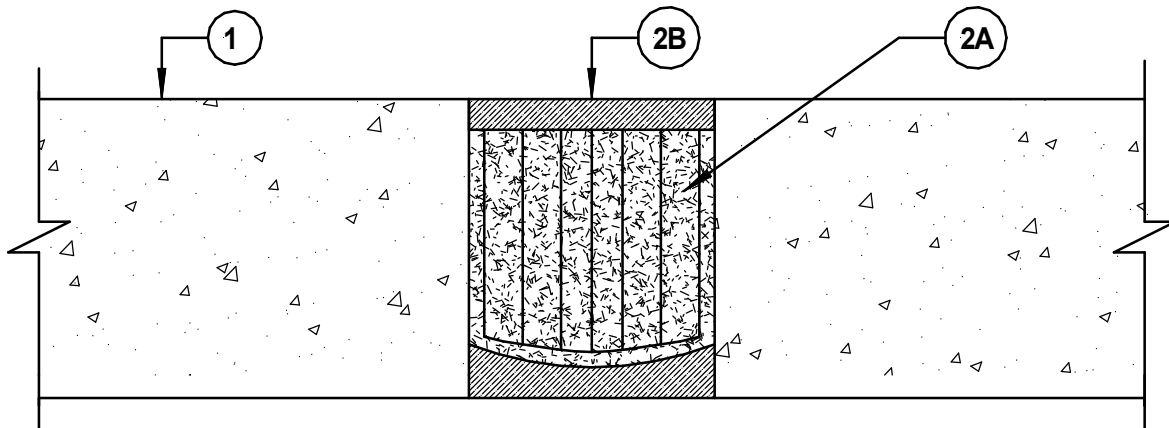


## UL System No. WW-S-1038

February 10, 2014

Assembly Rating – 2 Hr

Joint Width – 4 In. Maximum



1. **Wall Assembly** – Min 5 in. (127 mm) thick reinforced lightweight or normal weight (100 – 150 pcf or 1600-2400 kg/m<sup>3</sup>) structural concrete. Wall may also be constructed of any UL Classified **Concrete Blocks\***.

See **Concrete Blocks** (CATZ) category in the Fire Resistance Directory for names of manufacturers.

2. **Joint System** – Max width of the joint is 4 in. (102 mm). The joint system shall consist of the following:

- A. **Forming Material\*** - Nom 11 in. (279 mm) wide by 3-3/8 in. (86 mm) thick blanket folded in half and compressed min 40 percent in thickness. Forming material installed into opening as a permanent form and to be recessed from each surface of wall to accommodate the required thickness of fill material.

**BACKER ROD MFG. INC. – ULTRA BLOCK®**

- B. **Fill, Void or Cavity Material\*** - Min ½ in. (13 mm) thickness of fill material applied within the joint, flush with each surface of wall.

**RECTORSEAL – FS4000 Sealant, Metacaulk 835+, Biotherm 100**

\* Indicates such products shall bear the UL or cUL Certification Mark for jurisdictions employing the UL or cUL Certification (such as Canada), respectively.